

Digital contact gauge TST-PM 82

Dry ceramic sensor

Measuring ranges from 25 mbar ... 250 bar



Description

- 3-digit LED display
- 2 addressable transistor outputs, DC PNP, max. 200 mA
- Dry ceramic Sensor
- Ranges from 25 mbar ... 250 bar
- 4 (0) ... 20 mA analog output, 3-wire
- 0 ... 10 V DC analog output, 3-wire
- Ambient temperature -25 ... +80 °C
- Media temperature -25 ... +100 °C
- 80 mm stainless steel case
- Available with all standard process connections

The digital contact gauge TST-PM 82 measures and monitors pressure ranges from 25 mbar to 250 bar and displays the measured value. One or two threshold values can be set via the control buttons. LEDs show the switching status of the transistor outputs.

Standard pressure ranges		Type: TST-PM 82							
Measuring range	mbar	-20 ... 20*	25	40	50	60	-100 ... 100	100	
Overpressure	bar	-0,3 / 4	-0,3 / 4	-0,3 / 4	-0,3 / 4	-0,3 / 4	-1 / 2	-1 / 2	
Measuring range	mbar	160	200	250	400	500	600		
Overpressure	bar	-1 / 2	-1 / 2	-1 / 2	-1 / 2	-0,2 / 2	-0,2 / 2		
Measuring range	bar	1	1,6	2	2,5	4	5	6	
Overpressure	bar	-1 / 4	-1 / 4	-1 / 4	-1 / 10	-1 / 10	-1 / 10	-1 / 20	
Measuring range	bar	10	16	20	25	40	50	60	
Overpressure	bar	-1 / 40	-1 / 40	-1 / 40	-1 / 100	-1 / 100	-1 / 100	-1 / 200	
Measuring range	bar	100	160	250	-1 ... 1	-1 ... 3	-1 ... 5	-1 ... 9	
Overpressure	bar	-1 / 200	-1 / 400	-1 / 600	-1 / 4	-1 / 10	-1 / 10	-1 / 40	

* Total measurement error 1 % Absolute pressure measuring upon request

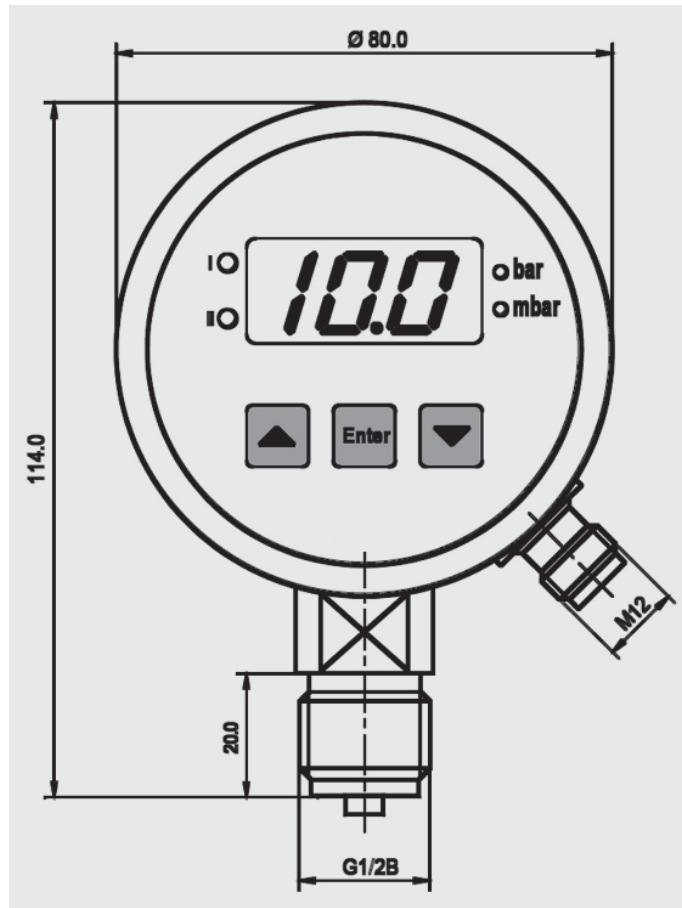
Technical data	Type: TST-PM 82
Measuring range	0 ... 25 mbar to 0 ... 250 bar
Analog output	4(0) ... 20 mA, 0 ... 10 V DC
Contact output	DC PNP, max. 200 mA
Accuracy	≤ ± 0,5% FS
Response time	200 ms
Operating voltage U _B	10 ... 30 V DC, 20 mA output 16 ... 30 V DC, 10 V output
Ambient temperature	-25 ... +80 °C
Media temperature	-25 ... +100 °C
Temperature coefficient zero point	≤ ± 0,03 % FS / K
Temperature coefficient range	≤ ± 0,02 % FS / K
Stability per year	≤ ± 0,5 % FS
Bayonet lock case	Stainless steel, 1.4301 (304) IP 67
Process connection	G 1/2" B, 1.4404 (316L), other connection on request
Sensor element	Ceramic AL ₂ O ₃ , gasket ring FKM (Viton) (others on request)
Electrical connection	Connector, M12x1 (IP 67)

Digital contact gauge TST-PM 82

Dry ceramic sensor
Measuring ranges from 25 mbar ... 250 bar

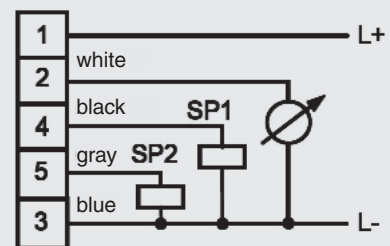
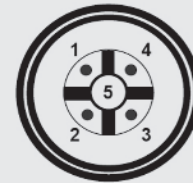
Pressure sensors

Dimensional drawing



Electrical connections

Connector M12x1, 5-pin



Type designation:

Typ: TST-PM82, **10.2**, **2**, **500mbar**, **G1/2"B**, **FKM**

TST-PM82, 10.2, 2, 500mbar, G1/2"B, FKM

- 1 Output signal
 - **10.1** = 0 ... 20 mA ((3-wire) Analog output
 - **10.2** = 4 ... 20 mA ((3-wire) Analog output
 - **20.0** = 0 ... 10 V DC (3-wire) Analog output
 - **OA** = without Analog output
- 2 Transistor outputs
 - **1** = 1 Transistor output
 - **2** = 2 Transistor outputs
- 3 Measuring range
 - **z.B. 200 mbar, 5 bar, -1 ... +1 bar**
- 4 Process connection
 - **G1/2"B**, other connections on request
- 5 Gasket ring
 - **FKM** = FKM (Viton)
 - **NBR** = NBR (Perbuan)
 - **EPDM** = EPDM