

Pressure switch PM/PT

2- and 3-pole pressure switch
1 ... 12 bar perbunan-diaphragm equipped



Pressure switch PM/PT



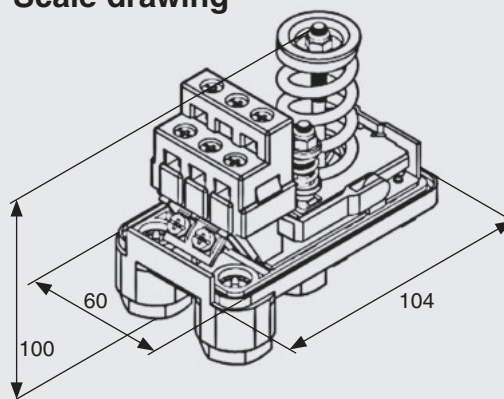
PMA/PTA (ON / OFF switch equipped)

Description

TIVAL-Pressure switches of the type series PM and PT are designed for a broad field of application in industrial and commercial use. Main application is for pumps, compressors and pressure tanks. Equipped with double or triple openers in their contact blocks these pressure switches are suitable for direct switching action of AC and rotary-current electrical motors.

Dimensions

Scale drawing



Type

Series PM (2 opening contacts)
Series PMA (ON / OFF switch and unloader valve equipped)
Pressure port: 1/4" female thread
Perbunan-diaphragm equipped

Order reference	adjustment range		adjustable differential bar	standard setting bar	Part no.
	min. bar	max. bar			
PM/5	1 ...	5	0,6 ... 2,5	1,4 / 2,8	1080001
PM/12	3 ...	12	1,5 ... 4	5 / 7	1080006
PMA/12	3 ...	12	1,5 ... 4	5 / 7	1080007

Type

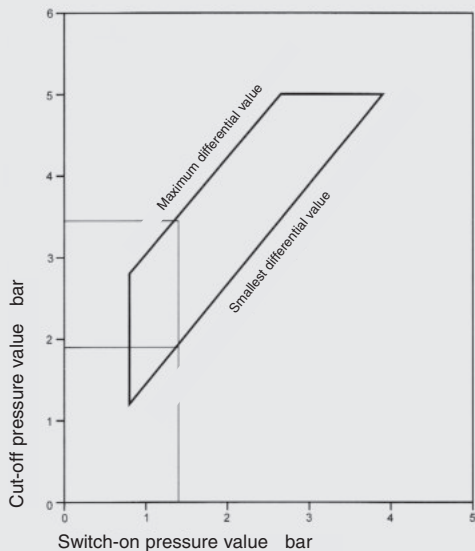
Series PT (3 opening contacts)
Series PTA (ON / OFF switch and unloader valve equipped)
Pressure port: 1/4" female thread
Perbunan-diaphragm equipped

Order reference	adjustment range		adjustable differential bar	standard setting bar	Part no.
	min. bar	max. bar			
PT/5	1 ...	5	0,6 ... 2,5	1,4 / 2,8	1080002
PT/12	3 ...	12	1,5 ... 4	6 / 8	1080008
PTA/12	3 ...	12	1,5 ... 4	6 / 8	1080009

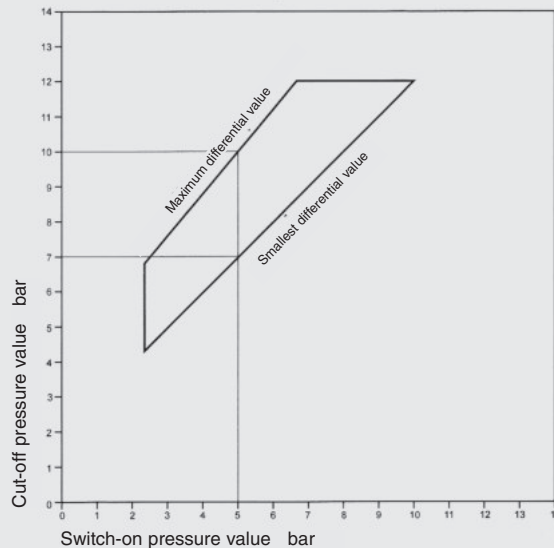
Pressure switch PT/PM

2- and 3-pole pressure switch
1...12 bar perbunan-diaphragm equipped

**Adjustable pressure range:
PM / PMA / PT / PTA 5**



**Adjustable pressure range:
PM / PMA / PT / PTA 12**



Technical data	Type: PTM / PMA	Type: PT / PTA
Rated isolation voltage	500 V	500 V
Conventional thermic current I _{th}	16 A	16 A
Braking capacity AC 3	250 V, 1~, 50 / 60 Hz: 2,5 kW	400 V, 50 / 60 Hz: 4 kW
Contact assembly	2 opening contacts	3 opening contacts
Protection class	IP 44	IP 44
Permitted media temperature	+ 55 °C	+ 55 °C
Cable gland	2 mounted (Ø 11 mm)	2 mounted (Ø 11 mm)
Weight	~ 400 g	~ 400 g