

Immersion electrode EL-1

For connection to level controller



Application

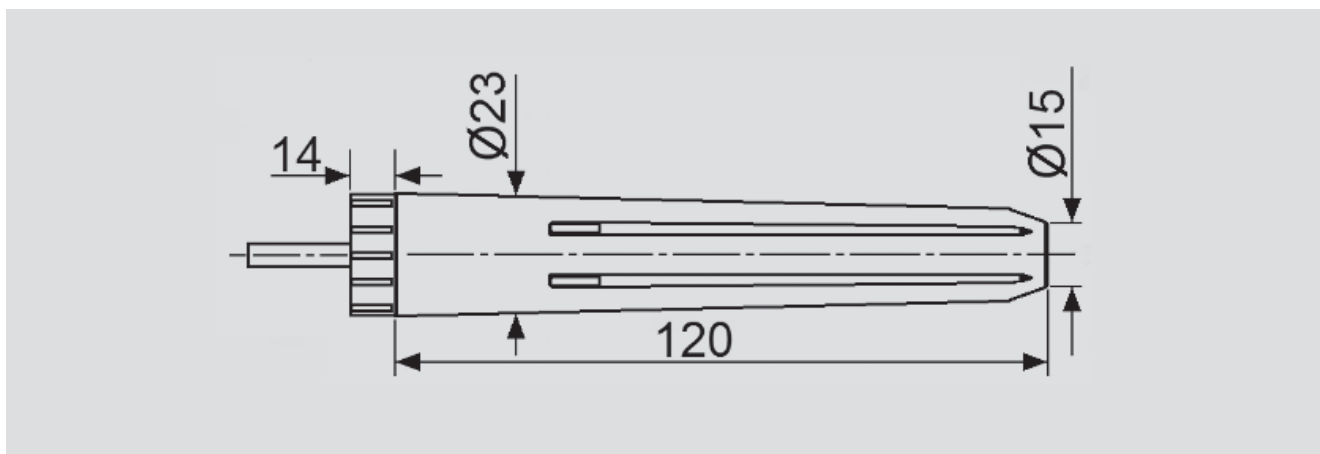
- Conductive liquids
- Water supply
- Well application
- Pumping stations
- Dry run protection

Description

- Single pole immersion electrode
- Stainless steel core
- Polyethylene protective cover
- Overall length 134 mm
- Overall diameter 23 mm

Single pole submersible electrode made of stainless steel in polyethylene housing for self-connection

Dimensional drawing



Technical data	Immersion electrode EL-1
Part number	1090011
Dimensions	Ø 23 mm, length 134 mm
Electrode core	Stainless steel 1.4104
Protective cover material	Polyethylen
Max. media temperature	+60 °C
Recommended cable	H07 RN-F, 1,5 mm ²