



Level probe TST-HD 135K

22 mm diameter, also available in  design
Compact size



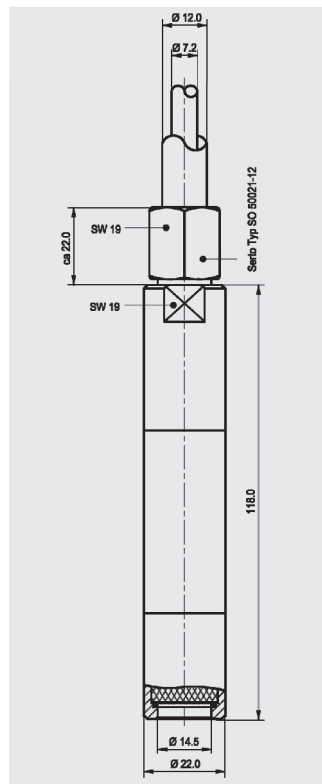
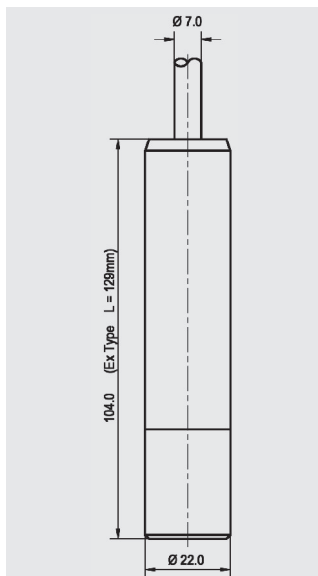
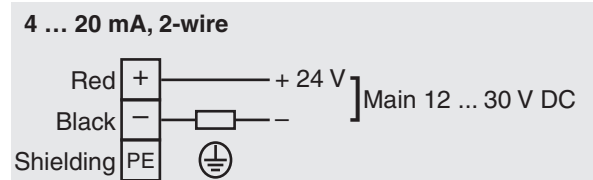
Description

- 22 mm diameter, perfect for 1" sounding pipes
- Measuring range from 100 mbar to 20 bar
- Total measurement error < 0,3 %
-  II 1 G EEx ia IIC T4/T6
- Cable acc. to Bg VV-1.12.96-recommendation, appropriate for foodstuff and drinking water
- Ceramic sensor AL_2O_3

Type designation: example

TST-HD 135 K, 200 mbar, 4-20 mA, 2-wire 10 m PE cable

Electrical connection



Measuring range (bar)	Measuring range (water column in m)	Overload (bar)
0 ... 100 mbar	0 ... 1 mWS	-0,3/4
0 ... 160 mbar	0 ... 1,6 mWS	-1/5
0 ... 200 mbar	0 ... 2 mWS	-1/5
0 ... 250 mbar	0 ... 2,5 mWS	-1/5
0 ... 0,4 bar	0 ... 4 mWS	-1/6
0 ... 0,5 bar	0 ... 5 mWS	-1/6
0 ... 0,6 bar	0 ... 6 mWS	-1/10
0 ... 1,0 bar	0 ... 10 mWS	-1/10
0 ... 1,6 bar	0 ... 16 mWS	-1/15
0 ... 2,0 bar	0 ... 20 mWS	-1/15
0 ... 2,5 bar	0 ... 25 mWS	-1/15
0 ... 4,0 bar	0 ... 40 mWS	-1/25
0 ... 5,0 bar	0 ... 50 mWS	-1/40
0 ... 6,0 bar	0 ... 60 mWS	-1/40
0 ... 10 bar	0 ... 100 mWS	-1/40
0 ... 16 bar	0 ... 160 mWS	-1/40
2 ... 20 bar	0 ... 200 mWS	-1/40

Technical data	Type: TST-HD 135 K
Measuring range	0 ... 100 mbar to 0 ... 20 bar
Output signal	4 ... 20 mA, 2-wire
Total measurement error	< 0,3 % FS
Response time	200 ms (other values upon request)
Operating voltage U_B	9 ... 30 V DC, max. 30 mA (12...30 V for Ex-types)
Media temperature	-25 ... +80 °C, -25 ... +70 °C for EEx ia IIC T4, -25 ... +50 °C for EEx ia IIC T6
Temperature influence	< 0,015 % / K of measuring range
Housing	Stainless steel, 1.4404, standard seal FKM (Viton)
Protection class	IP 68
Weight, level probe	~ 200 g
Weight, cable	500 g per 10 meters
Electric hookup	Polyethylen-(PE) suspension cable*, not shielded**, wire cross-section 0,34 mm ² , ventilation hose and air filter equipped. FDR-, PUR-, PTFE-cable available.

* Kevlar reinforced suspension cable will be used for cable lengths above 30 meters

** Shielded suspension cable is optionally available